



THE HIGHEST BENCHMARK IN HOISTING TECHNOLOGY

THE NEW JDN MINI. WITH NFC SENSOR.



500 kg

J·D·NEUHAUS
1745 engineered for extremes



Experience the new Mini in augmented reality!
Just download the app AiR-hoists and scan the
cover picture.



newgreatmini.com

THE HIGHEST BENCHMARK IN HOISTING TECHNOLOGY

THE NEW JDN MINI

The new JDN Mini is the most compact hoist, with a carrying capacity of up to 980 kg and an integrated NFC sensor with service app that makes it truly unique in the industry. Various innovations came together for the concept.

Developed in collaboration with customers

To make the new JDN Mini the best hoist on the market, we have blazed

new trails in development, and it took us straight to the customer. Or rather: to many customers. We asked how the perfect hoist has to work. We studied a wide variety of different conditions of use on-site and had discussions with end-users. Our engineers took this knowledge and used it to get the ball rolling. This unique process allowed us to achieve truly exceptional results! Maximum productivity, occupational safety, and efficiency. A hoist that the

customer can flexibly configure as desired to meet the demands of the specific application. A hoist that is unrivalled in its comfort and ease of use. A hoist that offers extensive time savings in maintenance. A hoist that we can truly say: The highest benchmark in hoisting technology.



MAXIMUM EFFICIENCY PLEASE.

With a higher working speed, considerably longer lifetime, and drastically reduced downtimes for maintenance, the new JDN Mini offers the lowest TCO values out there (Total Cost of Ownership).



SAFETY? THAT'S OUR TOP PRIORITY!

Best example: the optional redundant support of the new JDN Mini. A brand new innovation on the world market developed to meet demand from specific customer segments. It will react if the structure on which the Mini is mounted fails.



DOWNTIME IS NOT AN OPTION.

Even with pressure fluctuations, the pneumatically driven JDN Mini maintains constant, fast, and precise performance. A paragon of reliability in use around the clock. Another big plus: Maintenance can be performed on-site without removing the JDN Mini.

THIS IS WHAT MAKES THE NEW MINI THE HIGHEST BENCHMARK

When it comes to safety, the JDN Mini offers a new global innovation that meets the needs of a specific customer segment: A redundant optional fall support capable of holding the maximum capacity of a hoist coming free of the supporting structure.



MORE SAFETY

The new limit switches offer another safety bonus. They will switch off the lifting and lowering movement as soon as the bumper touches the stop valve. This slows the movement and keeps the chain from being overloaded. All of these features enhance occupational safety significantly and minimise safety hazards and wear risks.

Its intellignet construction increases the number of operating hours of the new JDN Mini through targeted optimisation to 800 hours, thus doubling the amount of time. This considerably enhances its efficiency in comparison to the previous model.



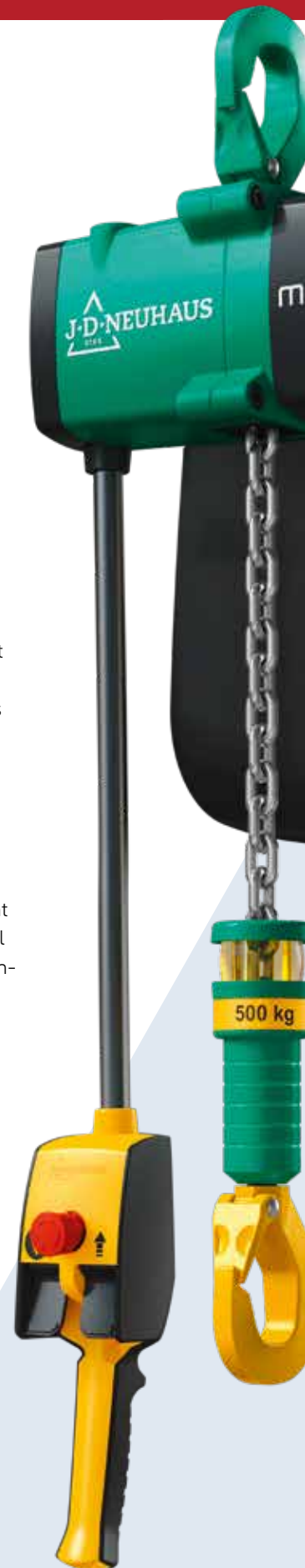
LONGER LIFETIME

Doubling the lifetime makes a significant contribution to the reduction of the total cost of ownership (TCO), since the extended service life means that new devices are purchased much less frequently to replace units that have reached the end of their service life.

SENSITIVE CONTROL



J.D. Neuhaus has succeeded in bringing together the advantages of direct and indirect control. So the control is now connected with the casing via a single hose with pull relief, bundling three control lines inside. This enhances operating comfort and flexibility. Added to this are the completely new precision valves, enabling even more precise dosing of the air supply and thus making it possible to lift and lower loads smoothly.



K IN HOISTING TECHNOLOGY.



EASY MAINTENANCE



The smartest new development in the area of maintenance is the NFC sensor integrated into the service flap. The user can access the operating instructions and certificates for the hoist by getting on a smartphone and using the new JDN service app.



Much of the maintenance work such as lubricating the motor chamber, exchanging the chain guide, and even exchanging the motor unit can now be carried out on the new JDN Mini "on the hook" – without dismounting the Mini. This also saves an incredible amount of time and increases occupational safety.



HIGHER SPEED

The new JDN Mini 500 will reach a maximum lifting speed of 12 m/min at full load (500 kg). This makes it up to 20 % faster than its predecessor – even when it is in constant use and with double lifetime! It doesn't get more productive than that. The maximum speed can also be continuously preset, so reduced, without losing power at a given carrying capacity. This can protect loads even more when necessary and, at the same time, the speed can also be more finely managed.

The JDN developers have also come up with some innovative ideas when it comes to flexibility: A standardised "interface" for using various types of hooks. Hooks are also available in steel and stainless steel.

CUSTOM-FIT CONFIGURATION

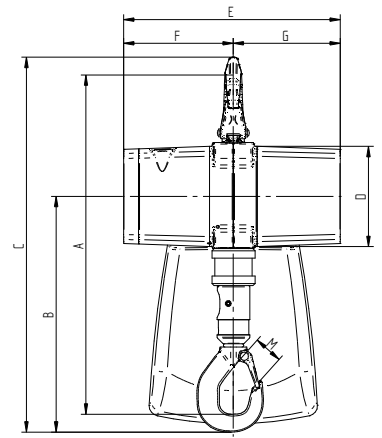
Together with a load sleeve and chain made of stainless steel as well as a motor housing of uncoated cast aluminium the JDN Mini is perfect for use in fields such as the food industry.



JDN AIR HOISTS MINI

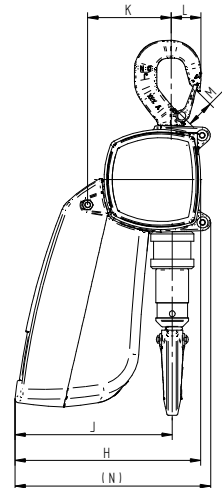
TECHNICAL DATA

Type		mini 125	mini 250	mini 500	mini 1000
Air pressure	bar	6	6	6	6
Capacity	kg	125	250	500	980
Number of chain strands		1	1	1	1
Motor output	kW	0.4	0.4	1	1
Lifting speed at full load	m/min	15	8	12	5.5
Lifting speed without load	m/min	40	20	20	11.5
Lowering speed at full load	m/min	30	16	18	11.5
Lowering speed without load	m/min	24	12	12	6.5
Air connection		G 3/8	G 3/8	G 1/2	G 1/2
Hose dimension (Ø inside)	mm	9	9	13	13
Weight at 3 m standard lift/ 2 m control length	kg	9.5	10.5	20	22
Chain dimension	mm	4.7 x 14.1	4.7 x 14.1	7.4 x 22	7.4 x 22
Weight of 1 m chain	kg	0.48	0.48	1.2	1.2



DIMENSIONS

Type		mini 125	mini 250	mini 500	mini 1000
A	mm	370	370	491	491
B	mm	266	266	350	350
C	mm	400	400	540	540
D	mm	100	100	135	135
E	mm	219	219	292	292
F	mm	111	111	148	148
G	mm	108	108	144	144
H	mm	175	175	250	250
J	mm	173	173	213	213
K	mm	87	87	112	112
L	mm	28	28	40	40
M	mm	19	19	28	28
(N)	mm	200	200	265	265



J.D.Neuhaus GmbH & Co. KG
D-58449 Witten-Heven
Phone +49 2302 208-0
Fax +49 2302 208-286
www.jdngroup.com
www.facebook.com/jdneuhaus
info@jdngroup.com